

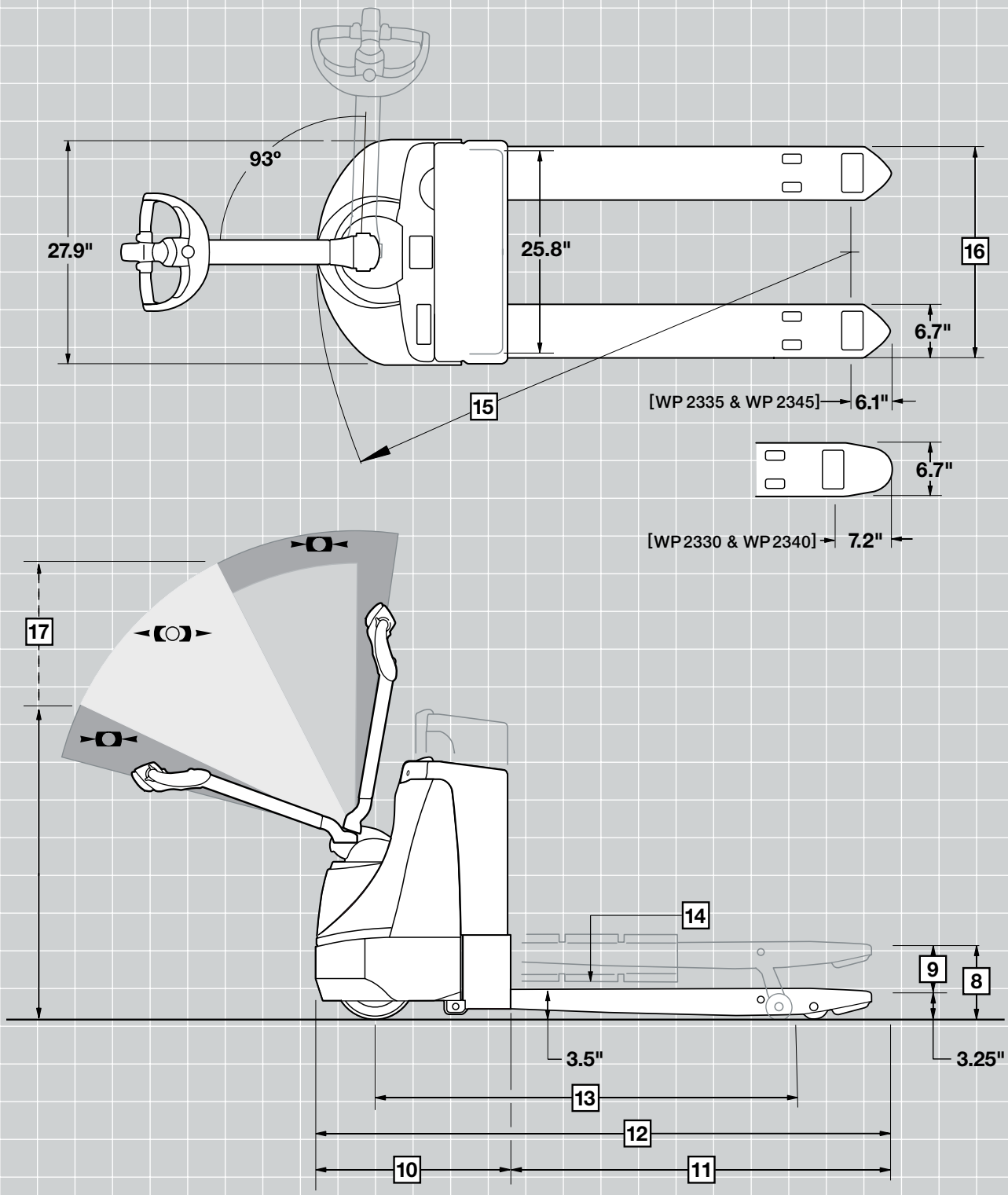
CROWN



WP 2300 Series

Profile Sheet

WP 2300 Series



WP 2300 Series

General Info	1	Manufacturer		Crown Equipment Corporation			
	2	Model		WP 2330	WP 2335	WP 2340	WP 2345
	3	Load Capacity	lb	4500	4500	4500	4500
	4	Power	Electric	24 Volts	24 Volts	24 Volts	24 Volts
	5	Operator Type	Stand-up	Walkie	Walkie	Walkie	Walkie
Dimensions	8	Lift Height	in	9.25	8.5	9.25	8.5
	9	Lift	in	6	5.2	6	5.2
		Battery Compartment	Length	in	7.9	7.9	9.1
	10	Head Length	in	23.2	23.2	24.4	24.4
	16	Outside Fork Spread	in	18.1/21.3/26.4	18.1/21.3/26.4	18.1/21.3/26.4	18.1/21.3/26.4
	17	Tiller Arm Height in Drive Position	Min/Max	in	31.1 / 47.5		

Forks	WP 2300 Series			WP 2330	WP 2335	WP 2340	WP 2345	
		Nominal Fork Length	in	36/42/48	36/42/48	36/42/48	36/42/48	
	11	Actual Fork Length	in	35.6/41.7/47.6	33.6/39.7/45.6	35.6/41.7/47.6	33.6/39.7/45.6	
	12	Overall Length	in	58.8/65.0/70.9	56.8/62.9/68.8	60.0/66.1/72.0	58/64.1/70	
	13	Wheelbase	Lowered	in	44.2/50.3/56.2	43.3/49.4/55.3	45.4/51.5/57.4	44.5/50.6/56.5
			Raised	in	39.6/45.7/51.7	40.2/46.3/52.2	40.8/46.9/52.8	41.4/47.5/53.4
	14	Grade Clearance	Raised	%	52.7/44.5/38.7	45.6/37.4/31.6	50.9/43.2/37.8	43.7/36/30.6
		Gradeability	Loaded	%	10	10	10	10
15	Turning Radius	Lowered	in	51.6/57.7/63.6	50.7/56.8/62.7	52.8/58.9/64.8	51.9/58/63.9	
7	Truck Weight*	Less Battery	lb	712	712	712	712	

*With 48" forks

7.9" Battery Compartment (WP 2330/WP 2335)

Battery Pack		Maintenance Free	Wet-cell Swing-out	Dry-Cell Swing-out
Four 6-volt batteries	Amp hour	195	160	160

9.1" Battery Compartment (WP 2340/WP 2345)

Industrial Battery	Max. Amp Hour	300
--------------------	---------------	-----

A built-in 30 amp charger is available as an option on all models.



Crown Equipment Corporation
New Bremen, Ohio 45869 USA
Tel 419-629-2311
Fax 419-629-3796
crown.com

You can count on Crown to build lift trucks designed for safe operation, but that's only part of the safety equation. Crown encourages safe operating practices through ongoing operator training, safety-focused supervision, maintenance and a safe working environment. Go to crown.com and view our safety section to learn more.

Because Crown is continually improving its products, specifications are subject to change without notice.

Crown, the Crown logo, the color beige and the Momentum symbol are trademarks of Crown Equipment Corporation.

Copyright 2004-2010 Crown Equipment Corporation
SF18498 4/10
Printed in U.S.A.