

CROWN

Specifications

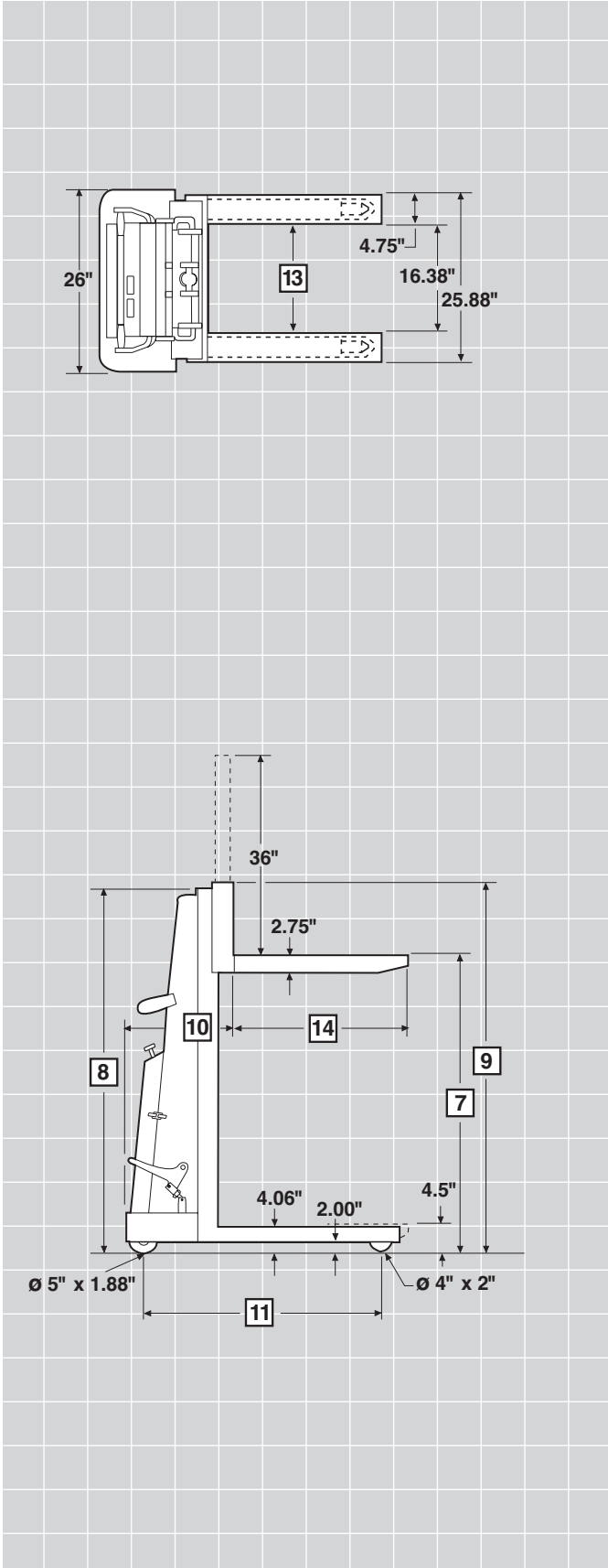
B Series

Power Lift
Stackers

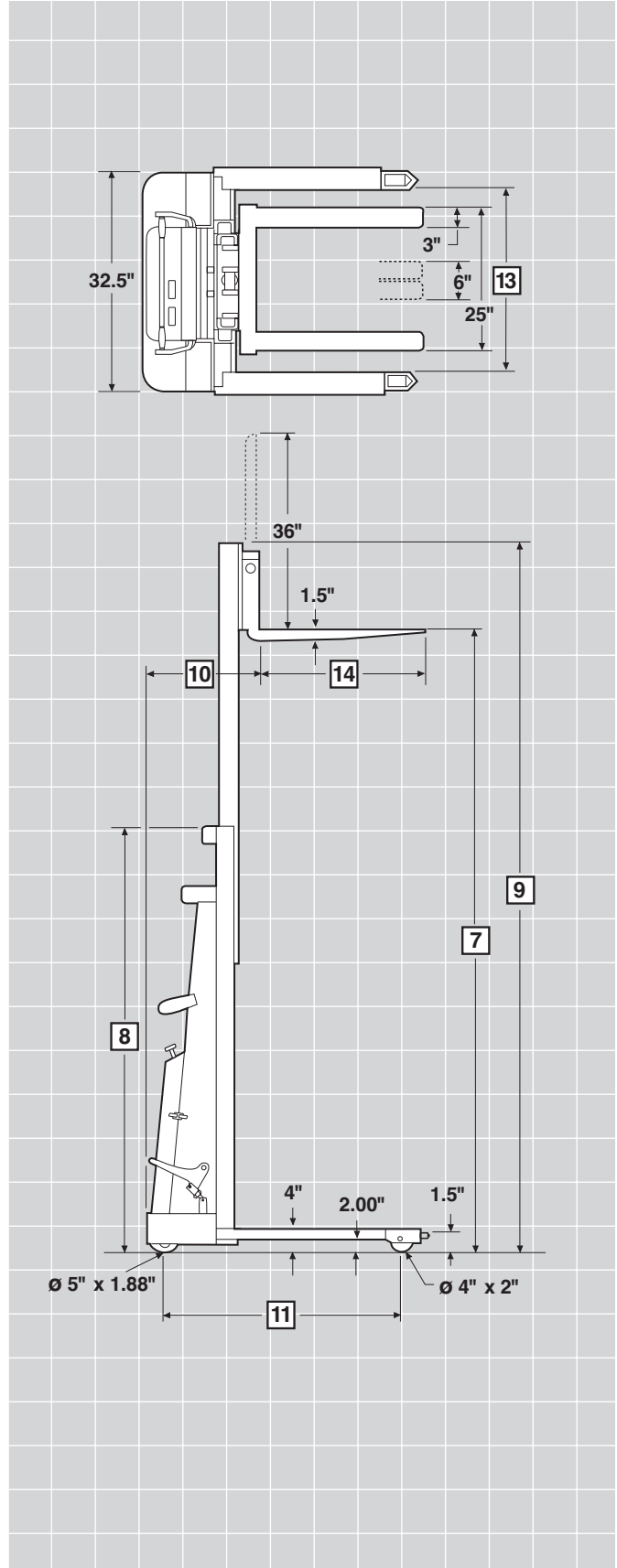
B Series



Model 20B
Fork Over



Model 20BS & BT
Straddle



General Information	1	Manufacturer	Crown Equipment Corporation							
	2	Model	20B		20BS		20BT			
		Mast Type	Single		Single		Telescopic			
		Load Handling Configuration	Fork Over		Straddle		Straddle			
	3	Power	Electric**		12-Volt Lift System					
	4	Operator Type	Walkie							
Dimensions	5	Load Capacity*	Max	lb	2000					
	6	Load Center		in	24					
	7	Lifting Height		in	57	67	54	64	90	110
		Free Lift		in	52.5	62.5	52.5	62.5	51	61
	8	Collapsed Height		in	78.3	78.3	78.3	78.3	81.5	81.5
	9	Extended Height		in	78.3	79	78.3	78.3	111	131
	10	Head Length		in	17		19.12		21.5	
	11	Wheelbase		in	36.3		41.81		43.5	
	12	Net Weight with Batteries		lb	755		855		1295	
	13	Inside Straddle		in	18.12		26.5		32-50	
		Outside Straddle		in	6.3" + Inside Straddle Dimension					
	14	Fork Length		in	30 Standard, 36, 42 and 48 Available					
	15	Lifting Speeds	w/wo Load	fpm	18/35					
	16	Lowering Speeds	w/wo Load	fpm	38/22					

* Attachments and longer load dimensions may result in derating of the capacity. Contact local dealer.

** Manually propelled for horizontal travel

B Series

Technical Information

Capacity

2000 lb at 24" load center.

Batteries

Two 6-volt, three cell 17 plate lead acid batteries. Each battery rated at 100 amp hours at 20 hour rate, and 87 amp hours at six hour rate.

Charger

Built-in 110/130 volt silicon rectifier type. Built-in ammeter shows charging rate during charging cycle. Other voltages available.

Standard Equipment

1. 12-volt fused electrical system
2. Plexiglass safety shield
3. Dual floor locks
4. Emergency power disconnect
5. Batteries
6. Built-in 120-volt battery charger
7. Adjustable outriggers (BT only)

Optional Equipment

1. Snap-on platform
2. Polyurethane load and caster wheels
3. Load backrest
4. Key switch
5. Remote lift/lower control with 12' coil cord and push-button station
6. Fifth-wheel steering

Operator Controls

1. Raise/lower lever located between chassis uprights. Provides a fixed lifting speed and variable speed lowering.
2. Safety power disconnect lever, located next to raise/lower control, shuts off all battery power to truck.
3. Foot operated floor lock lever. Pedal raises/lowers two spring-loaded, flat-rubber pads.

Hydraulic System

1. Heavy-duty motor, gear pump, check valve, relief valve and control valve
2. Pressure compensated flow control valve to regulate lowering speed.
3. Lift cylinders equipped with polyurethane packings.
4. Drain line from lift cylinder to reservoir.
5. Hydraulic fluid reservoir equipped with breather-filter to prevent foreign matter from entering hydraulic system.
6. Overload valve set to bypass fluid to reservoir when system reaches maximum pressure.

Chassis

Fabricated from steel plate and bar stock completely shot-blasted prior to finish coat. Base plate formed from steel plate and reinforced with protective bumper skirt. Vertical guide mast assembly welded as an integral part of main chassis. Guide mast channels on telescopic models are a special, hot-rolled steel section designed exclusively for lift truck use.

Carriage Rollers

Alloy steel rollers contoured to fit mast and equipped with roller bearings.

Lift Chain

Two alloy steel leaf-type lift chains.

Outriggers

Formed from heavy-gauge steel plate with end contoured around load wheel. Outrigger and load wheel axles are flush to prevent pallet or skid damage.

Forks

1.5" thick x 3" wide forged-steel forks with full upset heel standard on all BS and BT models. Fixed, formed 2.75" thick x 4.75" wide steel forks welded to fork carriage on B models.

Wheels and Tires

Standard equipment includes: Steel caster wheels 5" dia x 1.88" face. Steel load wheels 4" x 2" face. All wheels equipped with roller bearings.

Safety Shield

Clear, high-impact plexiglass to help protect operator from chains and cylinder.

Other Options

1. Audible travel alarm
 2. Flashing lights
- Safety considerations and dangers associated with audible travel alarms and flashing lights include:
- Multiple alarms and/or lights can cause confusion.
 - Workers ignore the alarms and/or lights after day-in and day-out exposure.
 - Operator may transfer the responsibility for "looking out" to the pedestrians.
 - Annoys operators and pedestrians.

Dimensions and performance data given may vary due to manufacturing tolerances. Performance is based on an average size vehicle and is affected by weight, condition of truck, how it is equipped and the conditions of the operating area. Crown products and specifications are subject to change without notice.



Crown Equipment Corporation
New Bremen, Ohio 45869 USA
Tel 419-629-2311
Fax 419-629-3796
crown.com

Because Crown is continually improving its products,
specifications are subject to change without notice.

Crown and the Momentum symbol are trademarks of
Crown Equipment Corporation.

Copyright 2002-2004 Crown Equipment Corporation
SF14108 Rev. 5/04
Printed in U.S.A.