

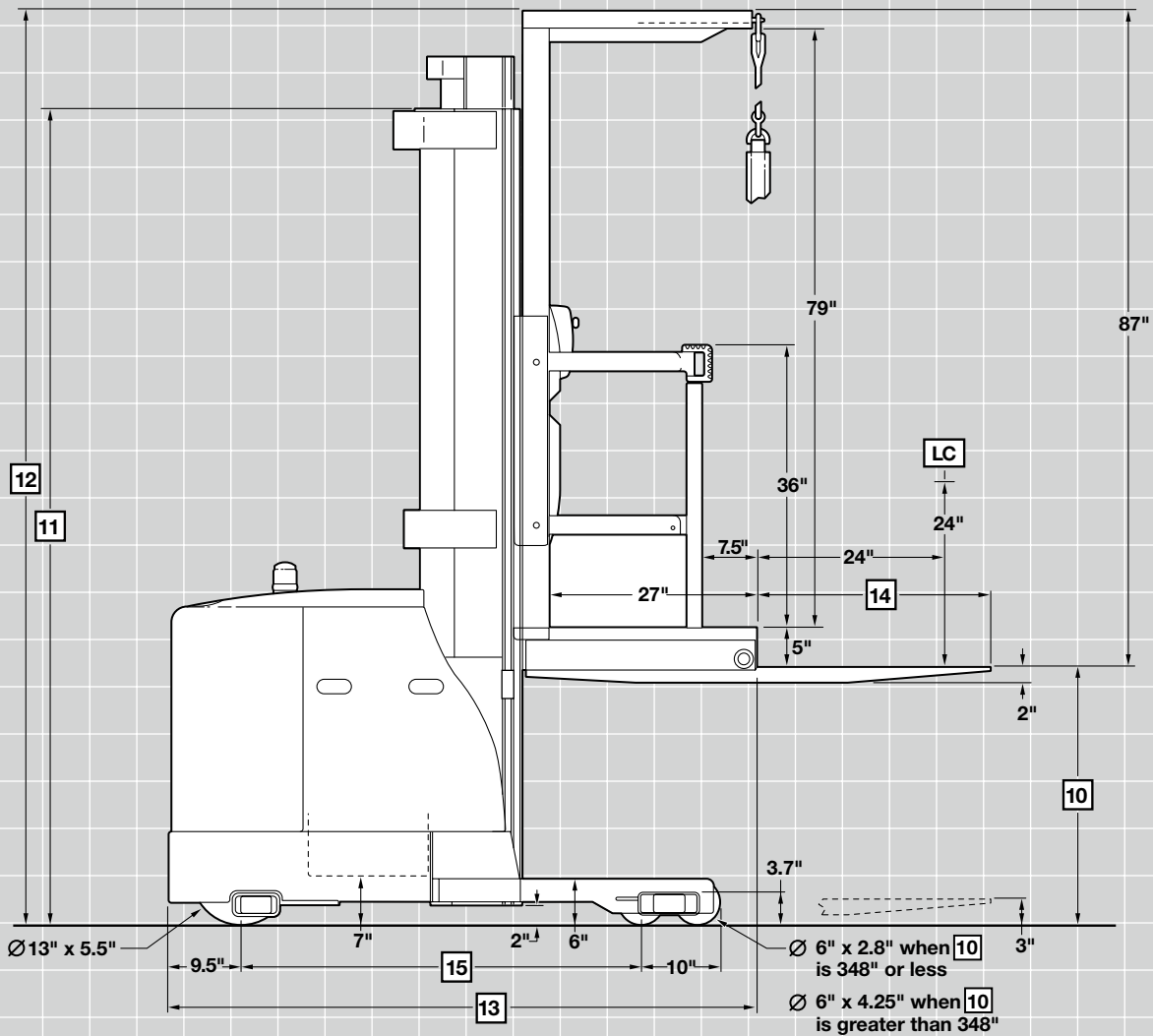
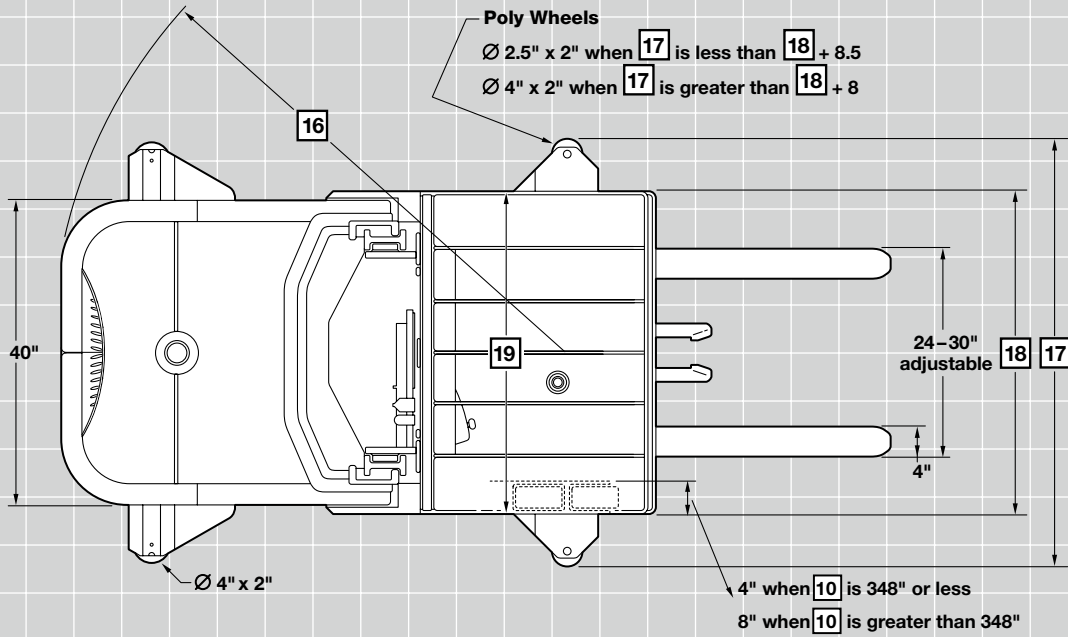
CROWN



SP 3500 Series

Profile Sheet

SP 3500 Series



SP 3500 Series

General Information	1	Manufacturer		Crown Equipment Corporation	Crown Equipment Corporation	Crown Equipment Corporation	Crown Equipment Corporation		
	2	Model		SP 3505-30	SP 3510-30	SP 3520-30	SP 3550H-30		
	3	Load Capacity*	lb	See Chart	See Chart	See Chart	See Chart		
	4	Load Center	Platform face to load CG	in	24	24	24	24	
	5	Power	Electric	Volts	24	24	24	24	
	6	Operator Type	Stand-up Rider		Stockpicker	Stockpicker	Stockpicker	Stockpicker	
	7	Tire Type	Load/Drive		Poly/Poly	Poly/Poly	Poly/Poly	Poly/Poly	
	8	Wheels (x = driven)	Load/Drive		4/1x	4/1x	4/1x	4/1x	
Dimensions	10	Lifting Height		in	See Chart	See Chart	See Chart	See Chart	
	13	Head Length	TL/TT	in	74.6/75.6	74.6/75.6	74.6/75.6	na/75.6	
	14	Forks	Standard	L x W x T	in	36 x 4 x 2	36 x 4 x 2	36 x 4 x 2	36 x 4 x 2
			Optional Lengths		in	30, 39, 42, 45, 48, 54, 60, 72, 84	30, 39, 42, 45, 48, 54, 60, 72, 84	30, 39, 42, 45, 48, 54, 60, 72, 84	30, 39, 42, 45, 48, 54, 60, 72, 84
	15	Wheelbase	TL/TT	in	52/51	52/51	52/51	na/51	
16	Turning Radius	TL/TT	in	69/68	69/68	69/68	na/68		
Battery	23	Battery	Type		Lead Acid	Lead Acid	Lead Acid	Lead Acid	
			Min Weight/Max Amp		975/660	1520/1085	1520/1085	1520/1085	
			Max Battery Size		13.12 x 31.75 x 23.25 High	14.25 x 36.25 x 31 High	14.25 x 36.25 x 31 High	14.25 x 36.25 x 31 High	

* Contact factory. Capacity may be subject to derating, depending upon lifting height, load center and fork length.

		TL					TT													
Capacity	10	Lifting Height	in	136	148	172	194	214	195	210	240	276	294	312	330	348	366			
	3	Load Capacity	SP 3505	lb	3000	3000	3000	3000	3000	3000	3000	3000	na	na	na	na	na	na		
			SP 3510	lb	3000	3000	3000	3000	3000	3000	3000	3000	3000	na	na	na	na	na	na	
			SP 3520	lb	3000	3000	3000	3000	3000	3000	3000	3000	3000	2000	1750	1500	na	na	na	
		SP 3550H	lb	na	na	na	na	na	na	na	na	2500	2350	2200	2050	1900	1750			
Mast		Free Lift	in	3	6	6	6	6	3	8	20	32	38	44	56	62	68			
	11	Collapsed Height	in	89.5	95	107	119	131	89.5	95	107	119	125	131	143	149	155			
	12	Extended Height	in	223	235	259	281	301	283	298	328	364	382	400	418	436	454			
	18	Straddle Width	in	42	42	42	42	42	42	42	42	42††	48	54	54	56	60	60		
	19	Operator Compartment Width	in	42	42	42	42	42	42	42	42	42	48	54	54	54	60	60		
Truck Weight	17	Aisle Guide Wheel Range†	in	45.50 to 65.25	45.50 to 65.25	45.50 to 65.25	45.50 to 65.25	45.50 to 65.25	45.50 to 65.25	45.50 to 65.25	45.50 to 65.25	45.50 to 65.25	45.50 to 65.25	48.75 to 71.25	54.75 to 77.25	54.75 to 77.25	56.75 to 79.25	60.75 to 83.25	60.75 to 83.25	
			Truck Weight Without Battery	SP 3505	lb	5027	5086	5216	5504	5634	5601	5686	6200	na	na	na	na	na	na	na
			SP 3510	lb	5027	5086	5216	5504	5634	5601	5686	5872	na	na	na	na	na	na	na	na
			SP 3520	lb	5088	5147	5277	5565	5695	5662	5747	5933	6354	6536	6629	na	na	na	na	na
	SP 3550H	lb	na	na	na	na	na	na	na	na	na	6444	6626	6718	6914	7060	7490			

† In .25" increments.

†† 48" straddle width on SP 3405 only.



Crown Equipment Corporation
New Bremen, Ohio 45869 USA
Tel 419-629-2311
Fax 419-629-3796
crown.com

You can count on Crown to build lift trucks designed for safe operation, but that's only part of the safety equation. Crown encourages safe operating practices through ongoing operator training, safety-focused supervision, maintenance and a safe working environment. Go to crown.com and view our safety section to learn more.

Because Crown is continually improving its products, specifications are subject to change without notice.

Crown, the Crown logo, the color beige, the Momentum symbol, Access 1 2 3, InfoPoint and Work Assist are trademarks of Crown Equipment Corporation.

Copyright 2010 Crown Equipment Corporation
SF18481 2/10
Printed in U.S.A.