

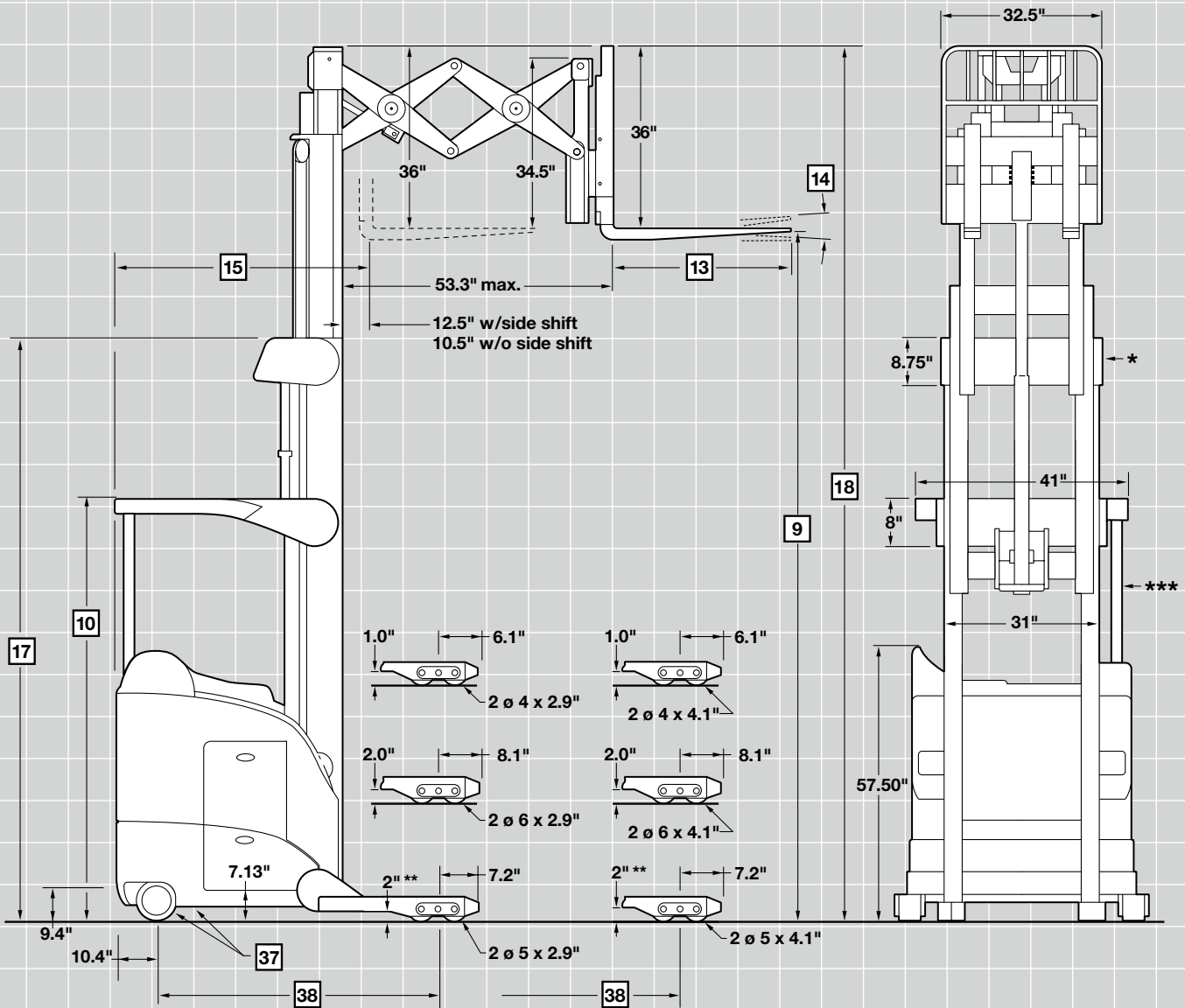
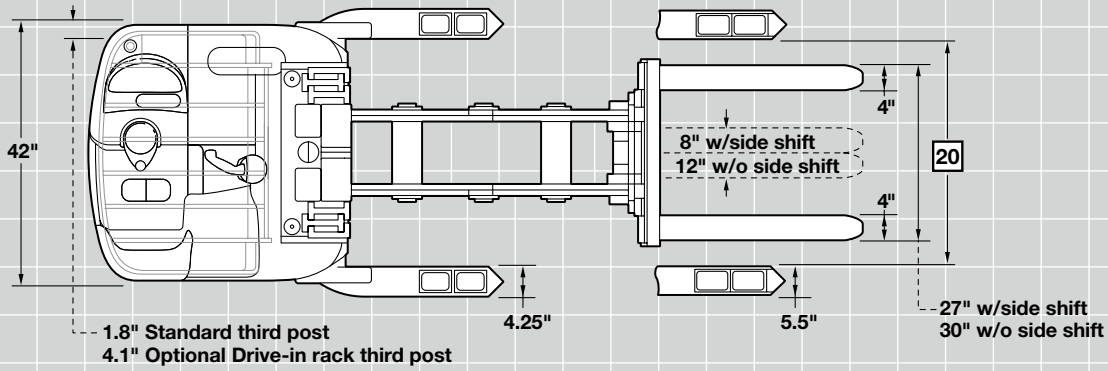
CROWN



RD 5700 Series

Profile Sheet

RD 5700 Series



* Top tie bar width – 33" for 240" or 270" lift. 35" for 300" and above.

** 1" on lift heights above 321"

*** Standard third post location, refer to dimension in top view.

RD 5700 Series

General Information	1	Manufacturer		Crown Equipment Corporation
	2	Model		RD 5725-30
	3	Load Capacity*	Max	lb 3000
	4	Load Center	Fork Face to Load CG	in 24
	5	Power		36 Volts
	6	Operator Type	Reach	Stand
	7	Tire Type	Load/Caster/Drive	Poly / Poly / Poly
	8	Wheels (x = driven)	Load/Power Unit	4 / 2 (1x)
Dimensions		Mast Type	Hi-Visibility	TT
	9	Lift Height		in See Mast Chart
	10	Guard Height		in See Mast Chart
	13	Forks	Standard L x W x T	in 36 x 4 x 1.5
			Optional Lengths	in 30, 39, 42, 45, 48
	14	Carriage	Tilt F°/B°	degree 3 / 4
	15	Headlength**	Comp't "B"	in 56.06
			Comp't "C"	in 58.06
			Comp't "D"	in 59.81
			Comp't "E"	in 62.43
17	Overall Collapsed Height		in See Mast Chart	
18	Overall Extended Height		in See Mast Chart	
20	Inside Straddle Width	In 1" increments	in 34 - 50	
Chassis	37	Tires	Size - Drive/Caster	in 13 x 5.5 / 8 x 4
	38	Wheelbase (Standard Wheel)	Comp't "B"	in 59.32
			Comp't "C"	in 61.32
			Comp't "D"	in 63.07
			Comp't "E"	in 65.70
	39	Suspension	Drive	Articulated
			Caster	Articulated, Swivel
42	Brakes	Drive	Elec Release / Mech Applied	
		Caster	None	
		Parking	Elec Release/Mech Applied	
Battery		Battery Removal		Both Sides
	45	Type		Lead Acid
	46	Min Weight/Max Amp	Comp't "B"	lb/amp 1600 / 775
			Comp't "C"	lb/amp 2000 / 930
			Comp't "D"	lb/amp 2280 / 1085
			Comp't "E"	lb/amp 2600 / 1240
		Max Battery Size	Comp't "B"	in 14.25x38.38x31
			Comp't "C"	in 16.25x38.38x31
Comp't "D"			in 18.00x38.69x31	
Comp't "E"			in 20.75x38.69x31	

* Contact factory. Capacity may be subject to derating at height.

** Add 2" with optional sideshift.

RD 5700 Series

Model RD 5725-30			TT				
Mast	9	Lift Height	198"	210"	240"	270"	300"
		Free Lift*	53	59	71	83	95
	10	Guard Height	89	95	95	95	95
	17	Overall Collapsed Height	89	95	107	119	131
	18	Overall Extended Height*	234	246	276	306	336
		Minimum Straddle OD	42	42	42	42	42
Weight	Truck Weight w/o Battery		Battery Compartment				
	RD 5725-30	"B" lb	5954	6064	6377	na	na
		"C" lb	5998	6108	6421	6710	7217
		"D" lb	6040	6150	6463	6752	7259
		"E" lb	6095	6205	6518	6807	7314

Model RD 5725-30			TT			
Mast	9	Lift Height	321"	341"	366"	400"
		Free Lift*	104	113	124	136
	10	Guard Height	95	95	95	95
	17	Overall Collapsed Height	140	149	160	172
	18	Overall Extended Height*	357	377	402	436
		Minimum Straddle OD	42	49	50	53
Weight	Truck Weight w/o Battery		Battery Compartment			
	RD 5725-30	"C" lb	7394	na	na	na
		"D" lb	7436	7691	na	na
		"E" lb	7491	7746	7962	8196

*With load backrest.
Above 321", 6" high load wheel standard.



Crown Equipment Corporation
New Bremen, Ohio 45869 USA
Tel 419-629-2311
Fax 419-629-3796
crown.com

You can count on Crown to build lift trucks designed for safe operation, but that's only part of the safety equation. Crown encourages safe operating practices through ongoing operator training, safety-focused supervision, maintenance and a safe working environment. Go to crown.com and view our safety section to learn more.

Because Crown is continually improving its products, specifications are subject to change without notice.

Crown, the Crown logo, the color beige, the Momentum mark, Access 1 2 3, InfoPoint, InfoLink, ThermoAssist, OnTrac and Work Assist are trademarks of Crown Equipment Corporation.

Copyright 2009 Crown Equipment Corporation
SF18384 7/09
Printed in U.S.A.