

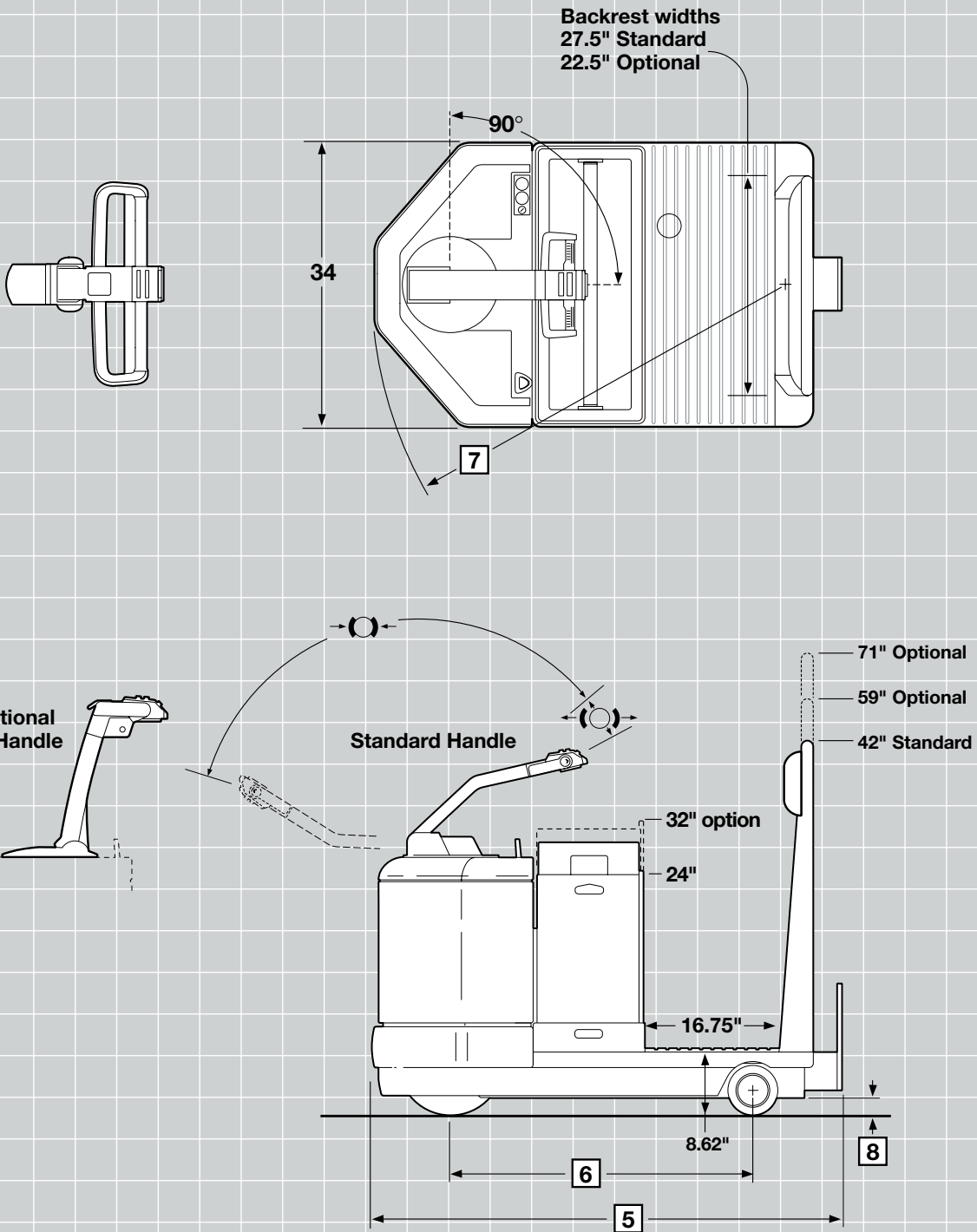
CROWN



TR 3600 Series

Profile Sheet

TR 3600 Series



TR 3600 Series

General Info	1	Manufacturer		Crown Equipment Corporation	
	2	Model		TR 3600	
	3	Drawbar Pull	Normal	lb	200*
			Maximum	lb	635
	4	Rolling Load Capacity		lb	10,000
5	Overall Length		in	60.3	
Dimensions	6	Wheelbase		in	38
	7	Turning Radius		in	48.3
	8	Grade Clearance		%	27
Battery	10	Truck Weight	Less battery	lb	1280
	11	Min/Max Weight		lb	975/1500
		Max Amp		amp	750
		Max Battery Size WxLxH		in	13.19 x 31.12 x 31.62

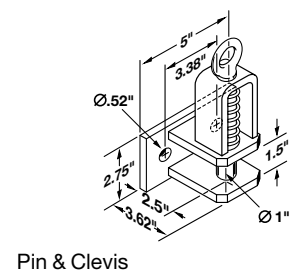
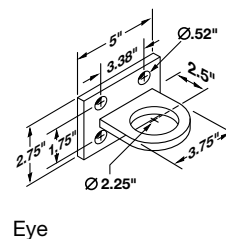
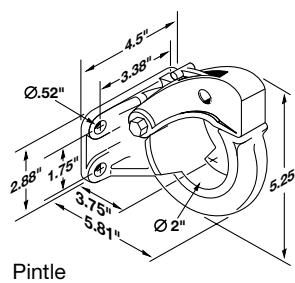
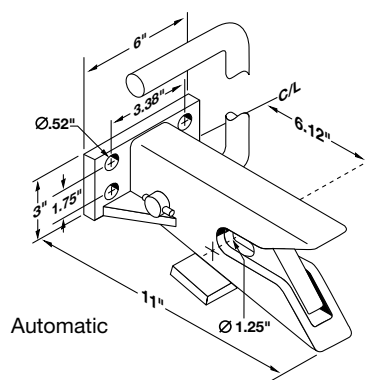
* 12" hitch height.

**Power unit first travel only.

Adjustable Hitch Plates

Hitch plate allows all types of hitches to be adjusted in 1.75" increments.

Hitch	Hitch Heights	
	Minimum	Maximum
Automatic	8"	15"
Pintle	8.62"	15.62"
Eye	8.75"	15.75"
Pin & Clevis	7.88"	16.62"





Crown Equipment Corporation
New Bremen, Ohio 45869 USA
Tel 419-629-2311
Fax 419-629-3796
crown.com

You can count on Crown to build lift trucks designed for safe operation, but that's only part of the safety equation. Crown encourages safe operating practices through ongoing operator training, safety-focused supervision, maintenance and a safe working environment. Go to crown.com and view our safety section to learn more.

Because Crown is continually improving its products, specifications are subject to change without notice.

Crown, the Crown logo, the color beige and the Momentum symbol are trademarks of Crown Equipment Corporation.

Copyright 2006-2010 Crown Equipment Corporation
SF18497 4/10
Printed in U.S.A.