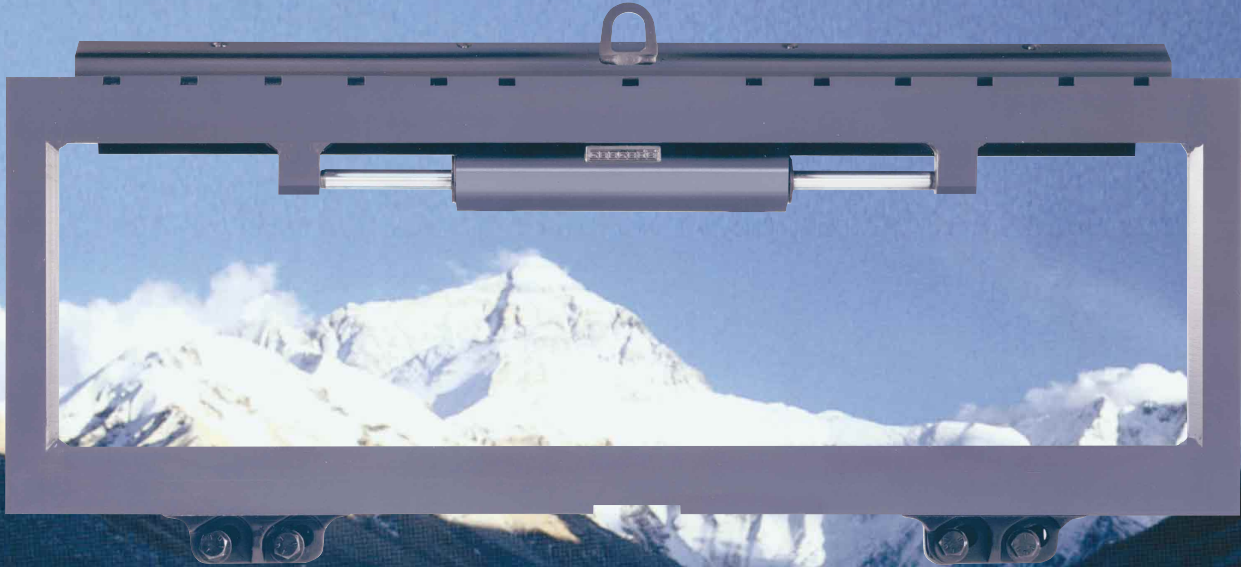
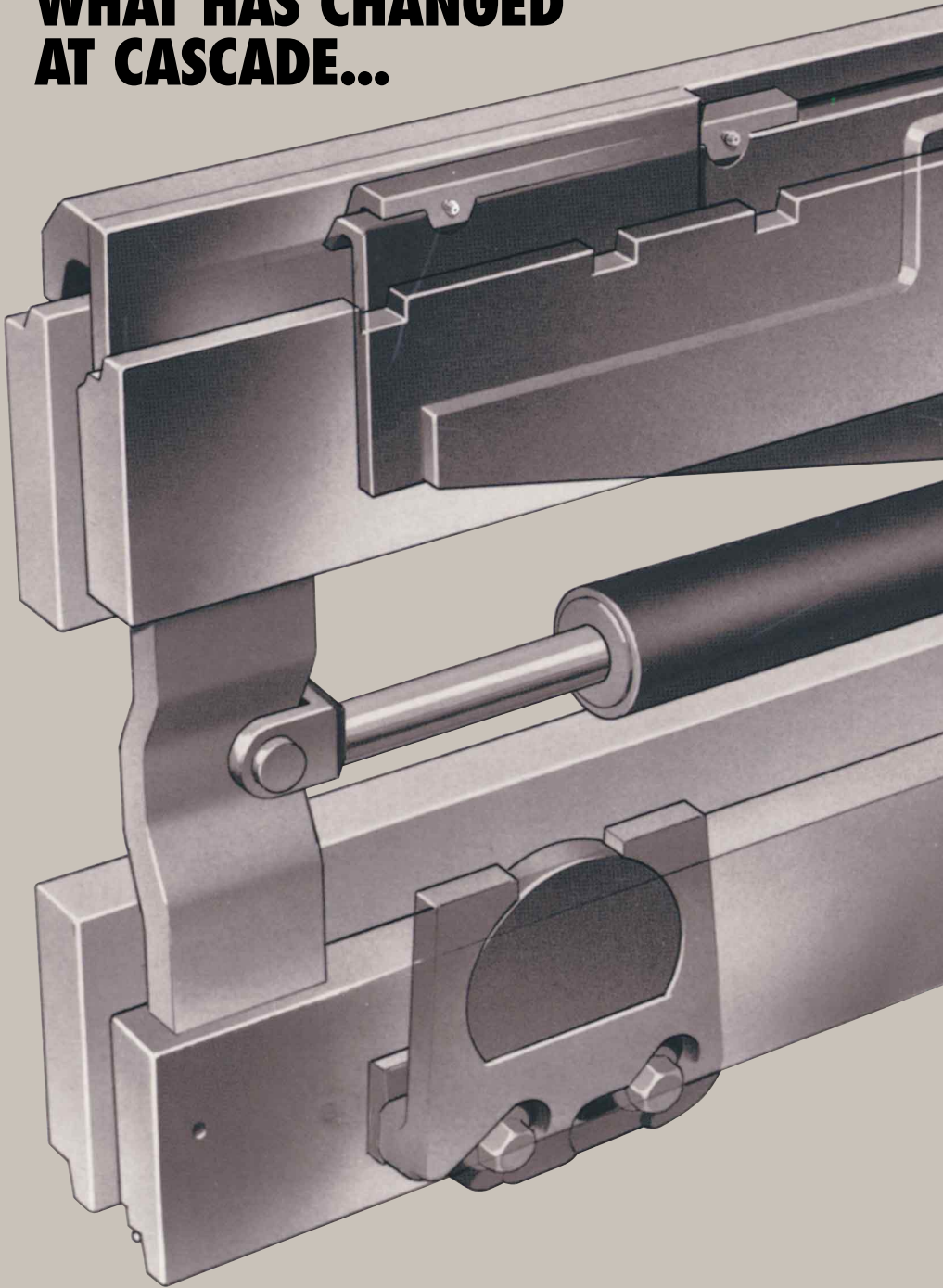


CASCADE ANNOUNCES THE SIDESHIFTER THAT COMES WITH A VIEW*



***ACTUAL VIEWS MAY VARY**

**TAKE A LOOK AND SEE
WHAT HAS CHANGED
AT CASCADE...**



D-SERIES SIDESHIFTER

Anchor bracket requires no welding, drilling or tapping – installation and servicing is fast and easy.

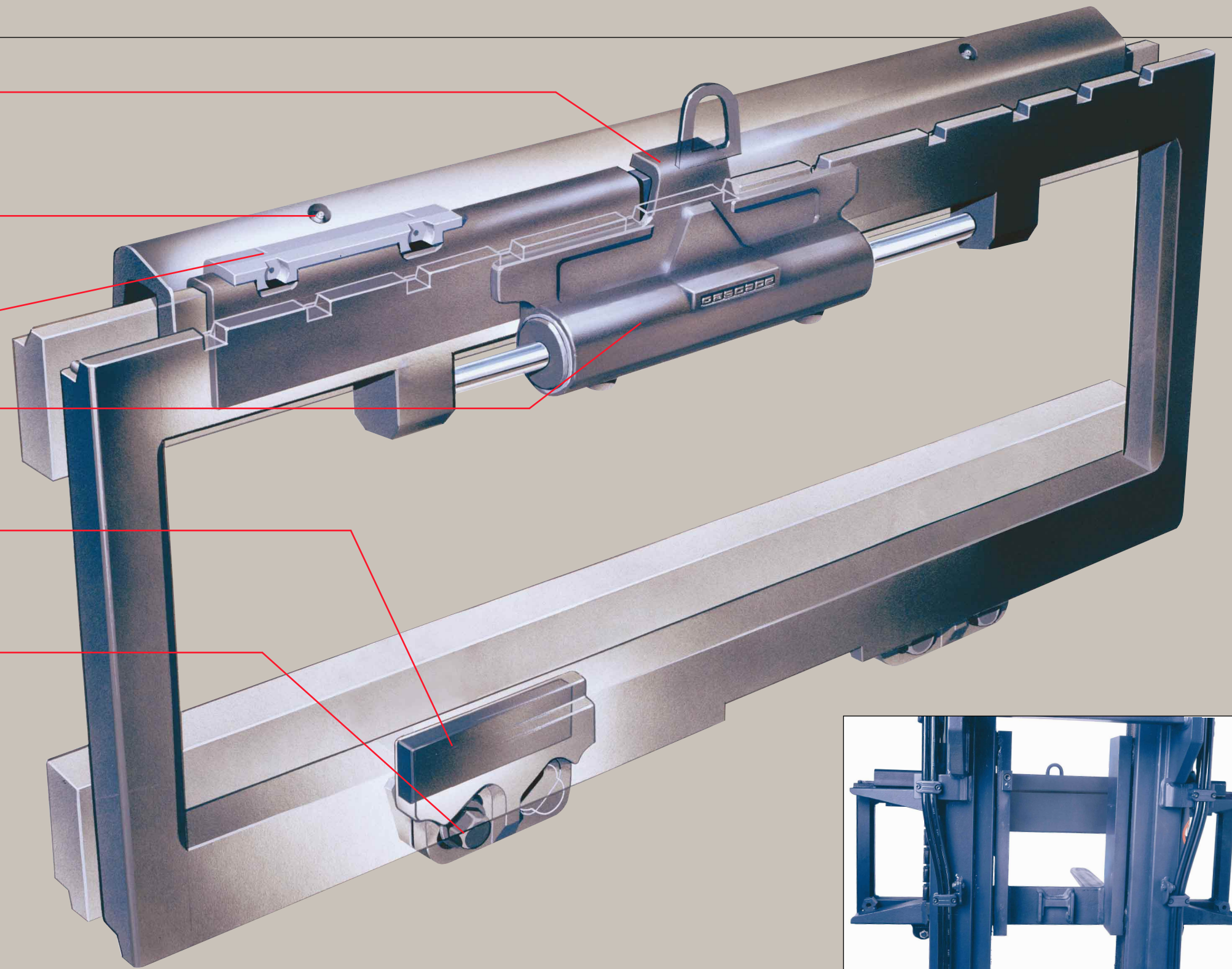
Grease fittings are located in the upper hook for easy lubrication access.

Low friction nylon upper bearings provide a smooth, even sideshift motion.

Cylinder is strategically placed high up in the frame for added protection and improved visibility.

Self lubricating lower bearings are made of UHMW poly-ethylene for long life and low maintenance.

Adjustable lower mounting hooks, with patented serrated interface for positive adjustment, makes installation easy.



E-SERIES SIDESHIFTER



BETTER DRIVER VISIBILITY

THE E-SERIES SIDESHIFTER: A NEW WAY TO LOOK AT THE WORLD.

BETTER VISIBILITY

Our new E-Series Sideshifter has been designed to give the driver better visibility through and around the mast structure. With new high visibility windows – loads are easier to see.

FAST AND EASY 'NO-WELD' MOUNTING

Sideshifters are shipped pre-assembled and greased, ready to install. No welding, drilling or tapping is required.

UNIFORM SPEED

Double-ended cylinder rod design provides equal sideshift speed in both directions.

HIGH PRESSURE CYLINDER

E-Series Sideshifter utilizes a high pressure cylinder that allows compatibility with trucks using up to 3,500 psi hydraulic systems without the need for additional auxiliary port reliefs.

MEETS INTERNATIONAL INDUSTRY STANDARDS

E-Series Sideshifter complies with all current Industrial Truck Association (ITA) and International Standard Organization (ISO) standards.

LOWER BEARING DESIGN

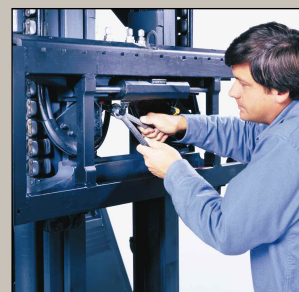
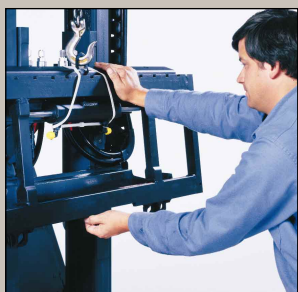
Lower bearings have been reconfigured to complement the high visibility truck carriage bars.

BACKREST COMPATIBILITY

Cascade E-Series Sideshifters are available with compatible carriage widths and load backrest bolt patterns for most lift trucks.

SIMPLE CYLINDER HOOK UP

Placement of cylinder allows for easy hook-up of hydraulic hoses to the internal reeving or hose reel.



EASY INSTALLATION: 1) Hang on truck carriage 2) Tighten and adjust lower mounting hooks 3) Connect hoses



OPTIONS

Quick Disconnect Unit ... allows the sideshifter to be removed from the truck carriage without using hand tools.

Pallet Protector ... prevents damage to the top, outer deck boards of pallets.

4" & 6" Restricted Strokes ... are available for narrow load offset or high lift applications.

Cylinder speed Restrictor ... varies cylinder speed to obtain preferred sideshift speed.

HIGH NET TRUCK CAPACITY

Rugged design yet low attachment weight allows you to achieve high net truck capacities.

APPROXIMATE NET CAPACITIES

Sideshift Model	Truck Capacity (Lbs.)	Approximate Truck/Attachment Net Capacity (Lbs.)
60E	6,000	5,500
	6,500	6,000
	7,000	6,500
100E	8,000	7,400
	9,000	8,250
	10,000	9,300

Net capacities listed are approximate capacities only, and are calculated for trucks with dual lift masts in true vertical position with specifications as follows:

Model	Class	Sideshifter Size	Fork Size
60E	III	42"	48"
100E	III	42"	48"

LOAD BACKRESTS

OSHA or state regulations may require the installation of backrests. We suggest you check your use of sideshifts against these requirements.

Cascade load backrests comply with OSHA requirements. Refer to your Cascade price list for part numbers and specifications.

