



Versatility in clamp handling.

*For handling
many types
of corrugated,
metal and
wooden
containers.*

APPLICATIONS

Multi-Purpose Clamps efficiently and economically handle many types of corrugated, metal and wooden containers as well as baled product. Substantially reduce or completely eliminate the need for pallets and the associated cost of pallet purchase or rental, maintenance, disposal and storage. Build loads to order, or skim partial loads with the Cascade Multi-Purpose clamp.

FEATURES

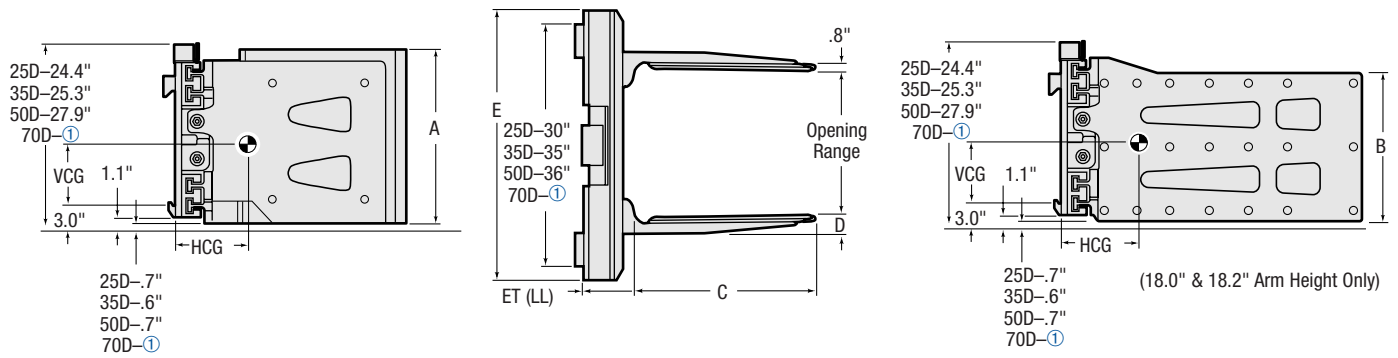
- Proven, durable arm and aluminum frame construction ensuring long useful life of the clamp.
- Superior arm-slide material and design for extended bearing life.
- Low profile frame for visibility over the clamp.
- Thin arm profiles for handling in between tightly spaced loads.
- Regenerative hydraulic valving for optimal arm speed.
- Replaceable aluminum pads with ribbed rubber facing.

OPTIONS

- Custom opening ranges
- Custom arm sizes
- Custom arm surfaces
- Various mounting classes available
- Quick-change lower hooks
- Load backrests



NON-SIDESHIFTING

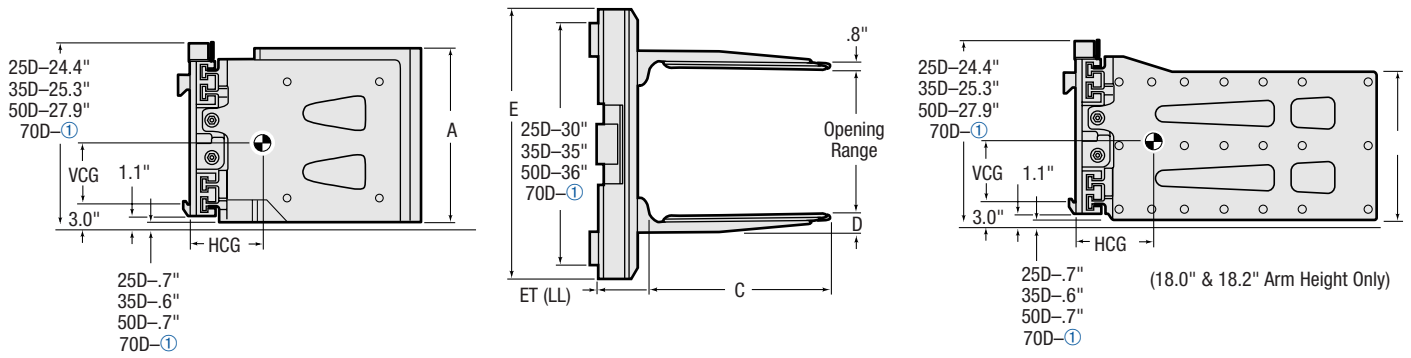


Capacity @ 24" (600 mm) Load Center		Opening Range ITI	Catalog Order No.	Mtg. Class	Pad Height A	Arm Height B	Arm Length C	Weight		Effective Thickness ET	Horizontal Ctr. of Gravity HCG	Vertical Ctr. of Gravity VCG	Arm Thickness D	Overall Width E
lbs	kg							lbs	kg					
2,500	1,135	21.5"-65.5"	25D-MCB-01A	II	—	18.2"	29.6"	710	322	6.9"	9.3"	8.3"	2.1"	34"
2,500	1,135	21.4"-64.4"	25D-MCB-02A	II	—	18.2"	35.6"	775	352	6.9"	11.6"	8.3"	2.2"	34"
2,500	1,135	20.4"-64.6"	25D-MCB-51A	II	24.0"	—	30.0"	730	331	6.7"	9.2"	8.5"	2.6"	34"
2,500	1,135	20.2"-64.4"	25D-MCB-55A	II	24.0"	—	36.0"	860	390	6.7"	12.8"	8.5"	2.7"	34"
2,500	1,135	20.4"-64.6"	25D-MCB-52A	II	30.0"	—	30.0"	740	336	6.7"	9.4"	8.9"	2.6"	34"
2,500	1,135	20.2"-64.4"	25D-MCB-56A	II	30.0"	—	36.0"	895	406	6.7"	13.2"	9.0"	2.7"	34"
2,500	1,135	20.4"-64.6"	25D-MCB-53A	II	36.0"	—	30.0"	775	352	6.7"	10.0"	9.6"	2.6"	34"
2,500	1,135	20.2"-64.4"	25D-MCB-57A	II	36.0"	—	36.0"	925	420	6.7"	13.6"	9.6"	2.7"	34"
3,500	1,590	22.0"-71.1"	35D-MCB-01A	II	—	18.2"	29.6"	785	356	7.2"	9.3"	8.7"	2.1"	37"
3,500	1,590	21.8"-70.9"	35D-MCB-02A	II	—	18.2"	35.6"	850	386	7.2"	11.5"	8.7"	2.2"	37"
3,500	1,590	21.6"-70.7"	35D-MCB-03A	II	—	18.2"	45.6"	955	434	7.2"	15.1"	8.7"	2.3"	37"
3,500	1,590	20.7"-69.9"	35D-MCB-51A	II	24.0"	—	30.0"	800	363	6.9"	9.0"	8.7"	2.7"	37"
3,500	1,590	20.5"-69.7"	35D-MCB-55A	II	24.0"	—	36.0"	970	440	6.9"	12.8"	8.7"	2.8"	37"
3,500	1,590	20.7"-69.9"	35D-MCB-52A	II	30.0"	—	30.0"	815	370	6.9"	9.3"	9.2"	2.7"	37"
3,500	1,590	20.5"-69.7"	35D-MCB-56A	II	30.0"	—	36.0"	1,000	454	6.9"	13.2"	9.2"	2.8"	37"
3,500	1,590	20.7"-69.9"	35D-MCB-53A	II	36.0"	—	30.0"	850	386	6.9"	9.8"	9.8"	2.7"	37"
3,500	1,590	20.5"-69.7"	35D-MCB-57A	II	36.0"	—	36.0"	1,030	468	6.9"	13.6"	9.8"	2.8"	37"
3,500	1,590	20.7"-69.9"	35D-MCB-54A	II	40.0"	—	30.0"	865	393	6.9"	10.0"	10.3"	2.7"	37"
3,500	1,590	20.5"-69.7"	35D-MCB-58A	II	40.0"	—	36.0"	1,045	474	6.9"	13.8"	10.3"	2.8"	37"
3,500	1,590	20.3"-69.5"	35D-MCB-59A	II	40.0"	—	40.0"	1,070	486	6.9"	14.4"	10.4"	2.9"	37"
5,000	2,270	23.7"-76.6"	50D-MCB-01A	II	—	18.0"	29.6"	1,065	484	8.1"	8.6"	10.0"	2.3"	40"
5,000	2,270	23.7"-76.6"	50D-MCB-01B	III	—	18.0"	29.6"	1,065	484	8.4"	8.5"	10.0"	2.3"	40"
5,000	2,270	23.6"-76.5"	50D-MCB-02A	II	—	18.0"	37.6"	1,195	543	8.1"	10.8"	10.0"	2.4"	40"
5,000	2,270	23.6"-76.5"	50D-MCB-02B	III	—	18.0"	37.6"	1,195	543	8.4"	10.6"	10.0"	2.4"	40"
5,000	2,270	23.4"-76.3"	50D-MCB-03A	II	—	18.0"	45.6"	1,330	604	8.1"	13.4"	10.0"	2.5"	40"
5,000	2,270	23.4"-76.3"	50D-MCB-03B	III	—	18.0"	45.6"	1,330	604	8.4"	13.1"	10.0"	2.5"	40"
7,000	3,180	Consult Cascade	70D-MCB					Consult Cascade						

① Consult Cascade.

► Ribbed rubber arm facing is standard.

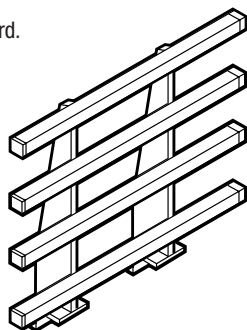
SIDESHIFTING



Capacity @ 24" (600 mm) Load Center		Opening Range	Catalog Order No.	Mfg. Class	Pad Height A	Arm Height B	Arm Length C	Weight		Effective Thickness ET	Horizontal Ctr. of Gravity HCG	Vertical Ctr. of Gravity VCG	Arm Thickness D	Overall Width E
lbs	kg							lbs	kg					
2,500	1,135	21.5"-65.5"	25D-MCS-11A	II	—	18.2"	29.6"	710	322	6.9"	9.3"	8.3"	2.1"	34"
2,500	1,135	21.4"-64.4"	25D-MCS-12A	II	—	18.2"	35.6"	775	352	6.9"	11.6"	8.3"	2.2"	34"
2,500	1,135	20.4"-64.6"	25D-MCS-61A	II	24.0"	—	30.0"	730	331	6.7"	9.2"	8.5"	2.6"	34"
2,500	1,135	20.2"-64.4"	25D-MCS-65A	II	24.0"	—	36.0"	860	390	6.7"	12.8"	8.5"	2.7"	34"
2,500	1,135	20.4"-64.6"	25D-MCS-62A	II	30.0"	—	30.0"	740	336	6.7"	9.4"	8.9"	2.6"	34"
2,500	1,135	20.2"-64.4"	25D-MCS-66A	II	30.0"	—	36.0"	895	406	6.7"	13.2"	9.0"	2.7"	34"
2,500	1,135	20.4"-64.6"	25D-MCS-63A	II	36.0"	—	30.0"	775	352	6.7"	10.0"	9.6"	2.6"	34"
2,500	1,135	20.2"-64.4"	25D-MCS-67A	II	36.0"	—	36.0"	925	420	6.7"	13.6"	9.6"	2.7"	34"
3,500	1,590	22.0"-71.1"	35D-MCS-11A	II	—	18.2"	29.6"	785	356	7.2"	9.3"	8.7"	2.1"	37"
3,500	1,590	21.8"-70.9"	35D-MCS-12A	II	—	18.2"	35.6"	850	386	7.2"	11.5"	8.7"	2.2"	37"
3,500	1,590	21.6"-70.7"	35D-MCS-13A	II	—	18.2"	45.6"	955	434	7.2"	15.1"	8.7"	2.3"	37"
3,500	1,590	20.7"-69.9"	35D-MCS-61A	II	24.0"	—	30.0"	800	363	6.9"	9.0"	8.7"	2.7"	37"
3,500	1,590	20.5"-69.7"	35D-MCS-65A	II	24.0"	—	36.0"	970	440	6.9"	12.8"	8.7"	2.8"	37"
3,500	1,590	20.7"-69.9"	35D-MCS-62A	II	30.0"	—	30.0"	815	370	6.9"	9.3"	9.2"	2.7"	37"
3,500	1,590	20.5"-69.7"	35D-MCS-66A	II	30.0"	—	36.0"	1,000	454	6.9"	13.2"	9.2"	2.8"	37"
3,500	1,590	20.7"-69.9"	35D-MCS-63A	II	36.0"	—	30.0"	850	386	6.9"	9.8"	9.8"	2.7"	37"
3,500	1,590	20.5"-69.7"	35D-MCS-67A	II	36.0"	—	36.0"	1,030	468	6.9"	13.6"	9.8"	2.8"	37"
3,500	1,590	20.7"-69.9"	35D-MCS-64A	II	40.0"	—	30.0"	865	393	6.9"	10.0"	10.3"	2.7"	37"
3,500	1,590	20.5"-69.7"	35D-MCS-68A	II	40.0"	—	36.0"	1,045	474	6.9"	13.8"	10.3"	2.8"	37"
3,500	1,590	20.3"-69.5"	35D-MCS-69A	II	40.0"	—	40.0"	1,070	486	6.9"	14.4"	10.4"	2.9"	37"
5,000	2,270	23.7"-76.6"	50D-MCS-11A	II	—	18.0"	29.6"	1,065	484	8.1"	8.6"	10.0"	2.3"	40"
5,000	2,270	23.7"-76.6"	50D-MCS-11B	III	—	18.0"	29.6"	1,065	484	8.4"	8.5"	10.0"	2.3"	40"
5,000	2,270	23.6"-76.5"	50D-MCS-12A	II	—	18.0"	37.6"	1,195	543	8.1"	10.8"	10.0"	2.4"	40"
5,000	2,270	23.6"-76.5"	50D-MCS-12B	III	—	18.0"	37.6"	1,195	543	8.4"	10.6"	10.0"	2.4"	40"
5,000	2,270	23.4"-76.3"	50D-MCS-13A	II	—	18.0"	45.6"	1,330	604	8.1"	13.4"	10.0"	2.5"	40"
5,000	2,270	23.4"-76.3"	50D-MCS-13B	III	—	18.0"	45.6"	1,330	604	8.4"	13.1"	10.0"	2.5"	40"
7,000	3,180	Consult Cascade	70D-MCS							Consult Cascade				

① Consult Cascade.

► Ribbed rubber arm facing is standard.

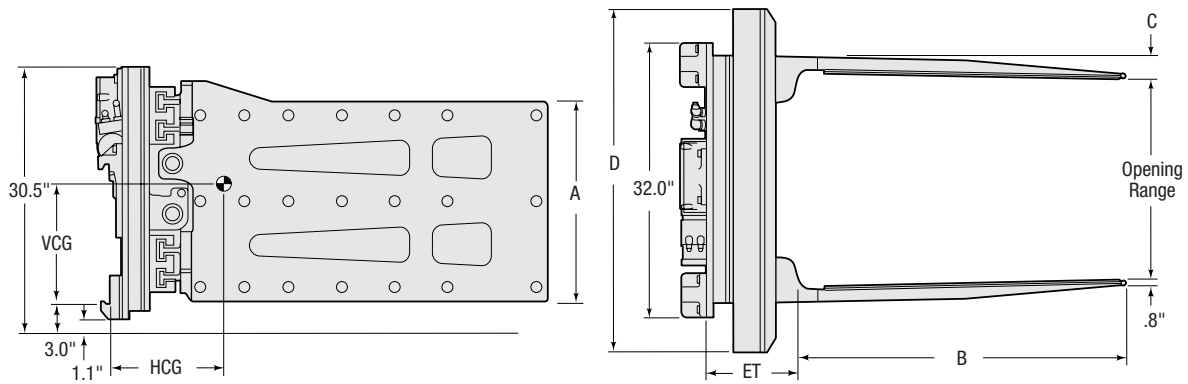


Load Backrest for Non-Sideshifting & Sideshifting Clamps

Model	Dimensions H x W	Weight (lbs.)	Catalog Order No.
25D ②	48" x 34"	55	669765
35D ②	48" x 37"	55	686417
50D ②	48" x 40"	53	669767
70D ③	48" x 48"	70	676720

② Bolt On—Height measured from ground to top of load backrest / Field or factory installed.

③ Weld On—Factory installed only.



Capacity @ 24" (600 mm) Load Center		Opening Range	Catalog Order No.	Mtg. Class	Mtg. Angle ①	Arm Height	Arm Length	Weight		Effective Thickness	Horizontal Ctr. of Gravity	Vertical Ctr. of Gravity	Arm Thickness	Overall Width
lbs	kg							lbs	kg					
		ITI				A	B			ET	HCG	VCG	C	D
3500	1,590	21.9"-70.9"	35D-MCR-21A	II	0°	18.2"	29.6"	1,265	574	10.9"	9.0"	13.2"	2.1"	37"
3500	1,590	21.9"-70.9"	35D-MCR-21F	II	4°	18.2"	29.6"	1,265	574	9.9"	8.0"	13.2"	2.1"	37"
3500	1,590	21.7"-70.7"	35D-MCR-22A	II	0°	18.2"	35.6"	1,330	604	10.9"	11.3"	13.2"	2.2"	37"
3500	1,590	21.7"-70.7"	35D-MCR-22F	II	4°	18.2"	35.6"	1,330	604	9.9"	10.3"	13.2"	2.2"	37"
3500	1,590	21.5"-70.5"	35D-MCR-23A	II	0°	18.2"	45.6"	1,430	649	10.9"	13.7"	13.2"	2.3"	37"
3500	1,590	21.5"-70.5"	35D-MCR-23F	II	4°	18.2"	45.6"	1,430	649	9.9"	12.7"	13.2"	2.3"	37"
5000	2,270	23.5"-76.5"	50D-MCR-21A	II	0°	18.2"	29.6"	1,530	695	11.8"	10.9"	13.2"	2.3"	40"
5000	2,270	23.5"-76.5"	50D-MCR-21F	II	4°	18.2"	29.6"	1,530	695	10.8"	9.9"	13.2"	2.3"	40"
5000	2,270	23.5"-76.5"	50D-MCR-21B	III	0°	18.2"	29.6"	1,565	711	13.5"	12.3"	13.2"	2.3"	40"
5000	2,270	23.5"-76.5"	50D-MCR-21G	III	4°	18.2"	29.6"	1,565	711	12.3"	11.2"	13.2"	2.3"	40"
5000	2,270	23.3"-76.3"	50D-MCR-22A	II	0°	18.2"	37.6"	1,660	754	11.8"	13.1"	13.2"	2.4"	40"
5000	2,270	23.3"-76.3"	50D-MCR-22F	II	4°	18.2"	37.6"	1,660	754	10.8"	12.1"	13.2"	2.4"	40"
5000	2,270	23.3"-76.3"	50D-MCR-22B	III	0°	18.2"	37.6"	1,700	772	13.5"	14.4"	13.2"	2.4"	40"
5000	2,270	23.3"-76.3"	50D-MCR-22G	III	4°	18.2"	37.6"	1,700	772	12.3"	13.2"	13.2"	2.4"	40"
5000	2,270	23.1"-76.1"	50D-MCR-23A	II	0°	18.2"	45.6"	1,795	815	11.8"	15.7"	13.2"	2.5"	40"
5000	2,270	23.1"-76.1"	50D-MCR-23F	II	4°	18.2"	45.6"	1,795	815	10.8"	14.7"	13.2"	2.5"	40"
5000	2,270	23.1"-76.1"	50D-MCR-23B	III	0°	18.2"	45.6"	1,825	829	13.5"	16.8"	13.2"	2.5"	40"
5000	2,270	23.1"-76.1"	50D-MCR-23G	III	4°	18.2"	45.6"	1,825	829	12.3"	15.6"	13.2"	2.5"	40"
7000	3,180	Consult Cascade	70D-MCR					Consult Cascade						

- ① Vertical mount (0° mounting angle) is recommended for lift heights exceeding 180".
- ▶ Rotator speed: 5.7 RPM @ 10 GPM. Rotator torque: 55,000 Inch-Lbs @ 2,000 PSI.
- ▶ Ribbed rubber arm facing is standard.

INSTALLATION KITS

Model	Catalog Order No.
Non-Sideshifting	659245
Sideshifting 25D, 35D, 50D	659249
Sideshifting 70D	674442
Sideshifting High-Pressure 70D (3,500)	3016583
Revolving	672442

MOUNTING CLASS INFORMATION

Mounting Class	Truck Capacity
II	2,000-5,500 lbs.
III	6,000-10,000 lbs.

HYDRAULIC FLOW AND PRESSURE

Model	Minimum	Recommended	Maximum	Max. Pressure
SS & NSS 25D	4 GPM	5.5 GPM	5.5 GPM	2,300 PSI/159 bar
SS & NSS 35D	4 GPM	7 GPM	7 GPM	2,300 PSI/159 bar
SS & NSS 40D & 50D	4 GPM	10 GPM	10 GPM	2,300 PSI/159 bar
SS & NSS 70D	7 GPM	12 GPM	15 GPM	2,300 PSI/159 bar
Revolving 35D, 50D	5 GPM	10 GPM	12 GPM	2,300 PSI/159 bar

HYDRAULIC FUNCTIONS

Model	Hydraulic Functions	Truck Aux. Valves Required
Non-Sideshifting	1	1
Sideshifting	2	2
Revolving	2	2