



Extremely Durable Bale Clamp Minimizes Down Time, Provides Excellent Visibility

APPLICATIONS

The Cascade 170G Pulp Bale Clamp efficiently handles up to 14,300 lbs. or 24 pulp or scrap paper bales. It is aptly suited for use in the waste paper industry.

FEATURES

- Thin arm profile enables damage-free “knifing” between tightly stacked bales
- Full-length lip over UHMW bearings provide maximum strength and bearing support, greatly reducing wear on bearing surface-lowers replacement cost of bearings
- Spring loaded pinless socket-joint design provides smooth and quiet operation
- Multi-function high efficiency valve protects clamp and ensures equal arm movement
- Protected valve is easily accessible for servicing and adjusting pressure relief settings
- Arm bar corner casting designed to prevent interference with the load
- Ribbed bar arm facing provides secure bale handling
- Steel edge plating protects frame from wear when dragged on the ground

MODELS

Articulated Left Arm:

- Articulating left arm self-aligns the arms to the load to evenly distribute clamp force on entire load

Fixed Arms:

- Popular in waste environment applications

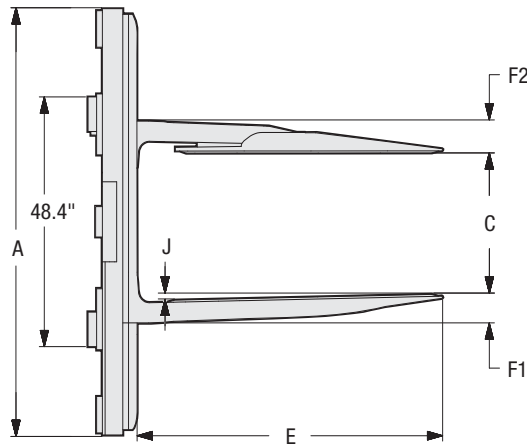
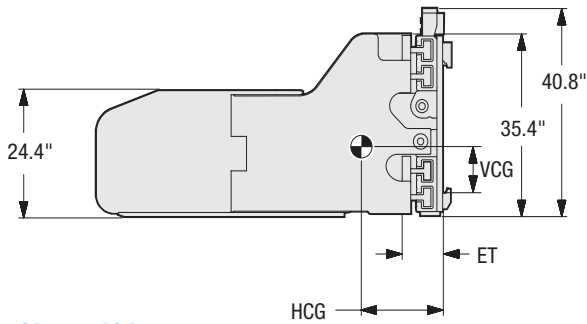
OPTIONS

- Optional arm facing available for special applications, such as button faced
- A variety of arm sizes, configurations and opening ranges available
- Frame easily adapts to different mountings: Pin or Class V

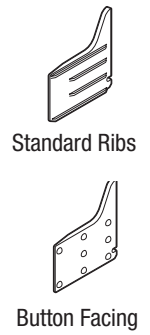


*Minimize down
time with UHMW
bearings*

170G PULP BALE CLAMP



Arm Facing Options



Sideshifting

Model	Capacity @ 31.5" (800 mm) Load Center		Opening Range in C	Mounting Class ⊖	Overall Width A	Arm Length E	Arm Thickness F1	Articulated Arm Thickness F2	Arm Toe-in J	Weight lbs	Weight kg	Horizontal Ctr. of Gravity HCG	Vertical Ctr. of Gravity VCG	Effective Thickness ET
	lbs	kg												
Articulating Left Arm														
170G-PBS-C011	14,300	6,500	25.6"-115.7"	IV	78.7"	47.2"	5.2"	6.0"	0.9"	3,840	1,742	10.2"	16.8"	8.3"
170G-PBS-C012	14,300	6,500	25.6"-115.7"	IV	78.7"	55.1"	5.4"	6.1"	1.1"	4,043	1,834	12.0"	16.6"	8.3"
170G-PBS-C013	14,300	6,500	25.6"-115.7"	IV	78.7"	63.0"	5.5"	6.2"	1.2"	4,204	1,907	13.9"	16.4"	8.3"
170G-PBS-C031	14,300	6,500	27.6"-123.6"	IV	82.7"	47.2"	5.2"	6.0"	0.9"	3,902	1,770	10.1"	16.9"	8.3"
170G-PBS-C032	14,300	6,500	27.6"-123.6"	IV	82.7"	55.1"	5.4"	6.1"	1.1"	4,105	1,862	11.9"	16.6"	8.3"
170G-PBS-C033	14,300	6,500	27.6"-123.6"	IV	82.7"	63.0"	5.5"	6.2"	1.2"	4,266	1,935	13.7"	16.4"	8.3"
170G-PBS-C051	14,300	6,500	29.5"-131.5"	IV	86.6"	47.2"	5.2"	6.0"	0.9"	3,964	1,798	10.0"	16.9"	8.3"
170G-PBS-C052	14,300	6,500	29.5"-131.5"	IV	86.6"	55.1"	5.4"	6.1"	1.1"	4,167	1,890	11.8"	16.7"	8.3"
170G-PBS-C053	14,300	6,500	29.5"-131.5"	IV	86.6"	63.0"	5.5"	6.2"	1.2"	4,328	1,963	13.6"	16.5"	8.3"
170G-PBS-C071	14,300	6,500	25.6"-123.6"	IV	86.6"	47.2"	5.2"	6.0"	0.9"	3,953	1,793	10.1"	16.9"	8.3"
170G-PBS-C072	14,300	6,500	25.6"-123.6"	IV	86.6"	55.1"	5.4"	6.1"	1.1"	4,156	1,885	11.9"	16.6"	8.3"
170G-PBS-C073	14,300	6,500	25.6"-123.6"	IV	86.6"	63.0"	5.5"	6.2"	1.2"	4,317	1,958	13.7"	16.4"	8.3"
170G-PBS-C091	14,300	6,500	25.6"-131.5"	IV	94.5"	47.2"	5.2"	6.0"	0.9"	4,068	1,845	9.8"	16.9"	8.3"
170G-PBS-C092	14,300	6,500	25.6"-131.5"	IV	94.5"	55.1"	5.4"	6.1"	1.1"	4,270	1,937	11.7"	16.7"	8.3"
170G-PBS-C093	14,300	6,500	25.6"-131.5"	IV	94.5"	63.0"	5.5"	6.2"	1.2"	4,431	2,010	13.5"	16.5"	8.3"
Fixed Arms														
170G-PBS-C111	14,300	6,500	25.6"-115.0"	IV	78.7"	47.2"	5.2"	n/a	0.9"	3,708	1,682	9.4"	16.8"	8.3"
170G-PBS-C112	14,300	6,500	25.6"-115.0"	IV	78.7"	55.1"	5.4"	n/a	1.1"	3,900	1,769	11.3"	16.6"	8.3"
170G-PBS-C113	14,300	6,500	25.6"-115.0"	IV	78.7"	63.0"	5.5"	n/a	1.2"	4,050	1,837	13.1"	16.4"	8.3"
170G-PBS-C131	14,300	6,500	27.6"-122.8"	IV	82.7"	47.2"	5.2"	n/a	0.9"	3,770	1,710	9.3"	16.9"	8.3"
170G-PBS-C132	14,300	6,500	27.6"-122.8"	IV	82.7"	55.1"	5.4"	n/a	1.1"	3,962	1,797	11.1"	16.6"	8.3"
170G-PBS-C133	14,300	6,500	27.6"-122.8"	IV	82.7"	63.0"	5.5"	n/a	1.2"	4,112	1,865	13.0"	16.4"	8.3"
170G-PBS-C151	14,300	6,500	29.5"-130.7"	IV	86.6"	47.2"	5.2"	n/a	0.9"	3,832	1,738	9.2"	16.9"	8.3"
170G-PBS-C152	14,300	6,500	29.5"-130.7"	IV	86.6"	55.1"	5.4"	n/a	1.1"	4,023	1,825	11.0"	16.7"	8.3"
170G-PBS-C153	14,300	6,500	29.5"-130.7"	IV	86.6"	63.0"	5.5"	n/a	1.2"	4,173	1,893	12.8"	16.5"	8.3"
170G-PBS-C171	14,300	6,500	25.6"-122.8"	IV	86.6"	47.2"	5.2"	n/a	0.9"	3,821	1,733	9.3"	16.9"	8.3"
170G-PBS-C172	14,300	6,500	25.6"-122.8"	IV	86.6"	55.1"	5.4"	n/a	1.1"	4,012	1,820	11.1"	16.6"	8.3"
170G-PBS-C173	14,300	6,500	25.6"-122.8"	IV	86.6"	63.0"	5.5"	n/a	1.2"	4,162	1,888	12.9"	16.4"	8.3"
170G-PBS-C191	14,300	6,500	25.6"-130.7"	IV	94.5"	47.2"	5.2"	n/a	0.9"	3,935	1,785	9.1"	16.9"	8.3"
170G-PBS-C192	14,300	6,500	25.6"-130.7"	IV	94.5"	55.1"	5.4"	n/a	1.1"	4,127	1,872	10.9"	16.7"	8.3"
170G-PBS-C193	14,300	6,500	25.6"-130.7"	IV	94.5"	63.0"	5.5"	n/a	1.2"	4,277	1,940	12.7"	16.5"	8.3"

① Specifications shown are for a class IV mounting

▶ Pin mounting is available.

▶ Right hand articulation available.

▶ Mounting is designed to suit the application and is not included.

HYDRAULIC FUNCTIONS

Model	Hydraulic Functions	Truck Aux. Valves Required
170G-PBS	2	2

HYDRAULIC FLOW & PRESSURE

Min. Flow	Recommended Flow	Max. Flow	Max. Pressure
10 GPM	15 GPM	24 GPM	2,300 PSI

Cascade Corporation • PO Box 20187 • Portland, OR 97294-0187 • USA • 800 CASCADE (227.2233) • Tel 503.669.6257 • Fax 800.693.3768 • Fax 503.669.6367
 Cascade Canada Ltd. • 5570 Timberlea Blvd. • Mississauga, Ontario L4W 4M6 • Canada • 800.380.2272 • Tel 905.629.7777 • Fax 905.629.7785